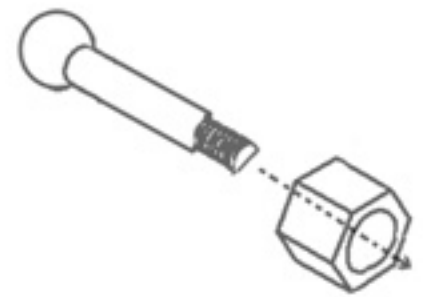
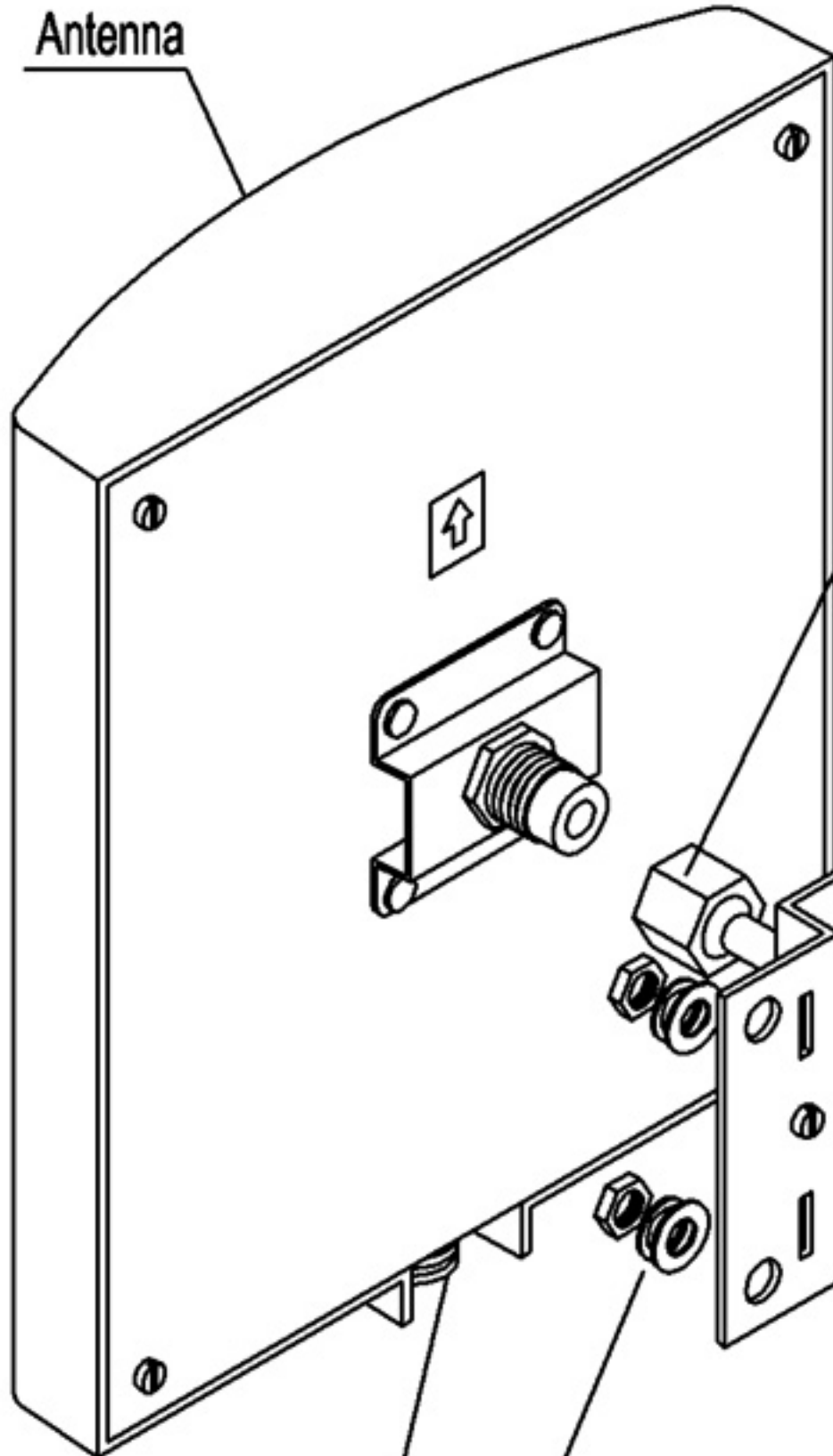
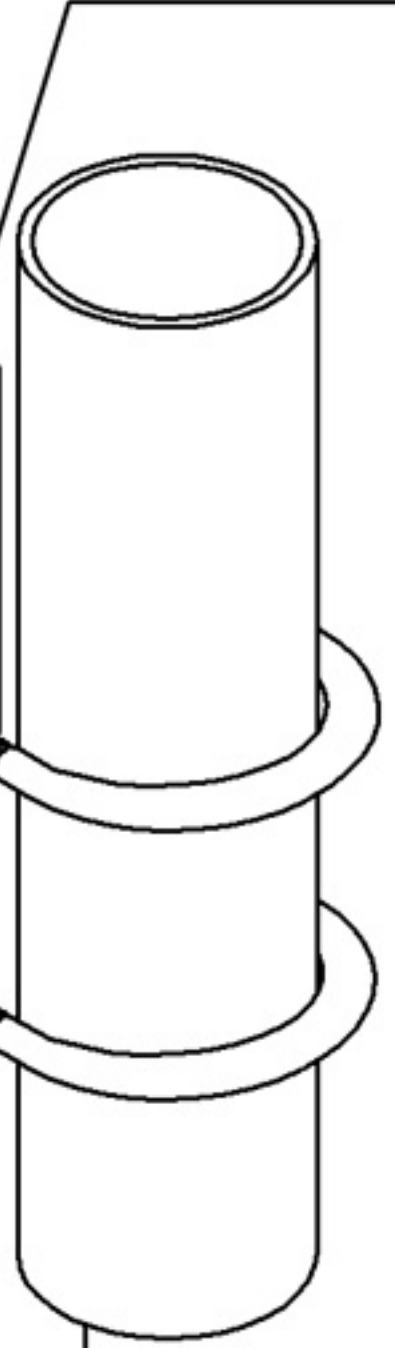


Antenna



Gimbal clamp  
(assemble as shown)

Wall/Pole bracket



N-Connector

Mounting Hardware

U bolt

Mast Supplied by  
customer



**CellAntenna**  
*solving cellular communication problems worldwide*

**CA-P2000**

**Multi Band Wall Mount Directional Antenna**